

Axial piston variable pump A4VSO Series 10, 11 and 30

for explosive areas

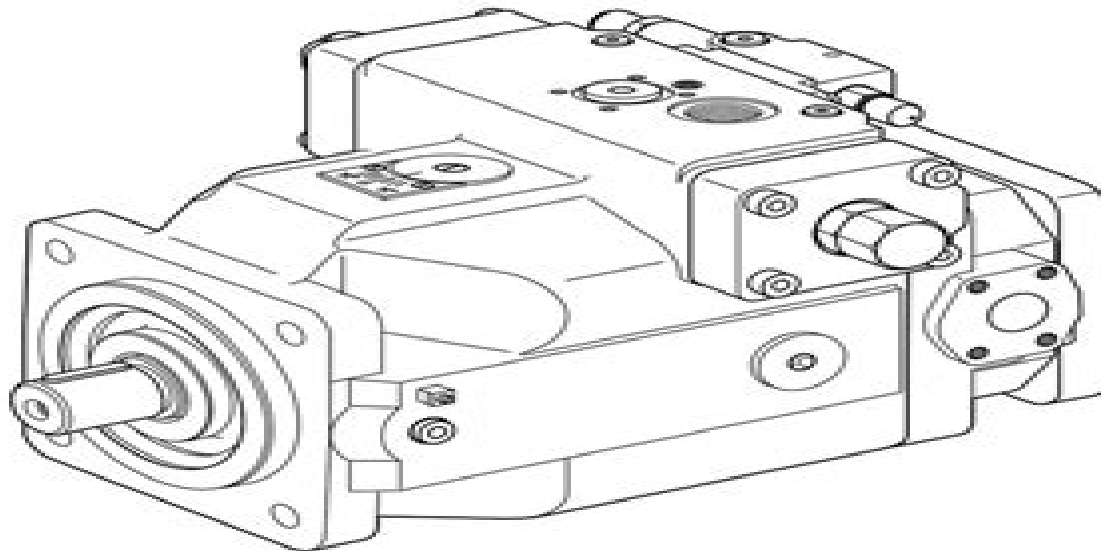
II 2G Ex h IIC T4-T1 Gb X and

II 3G Ex h IIC T4-T1 Gc X



Instruction manual according to
ATEX directive 2014/34/EU
RE 92050-01-X-B0/2019.08.23

Mat. no.: R902569828
Replaces: 01.2017
English



Rexroth Pump Service Manual Aa4vso

Caterpillar Inc. Peoria, Ill..



Rexroth Pump Service Manual Aa4vso:

Iron and Steel Engineer ,1991 Contains the proceedings of the Association
Ill.,1989 Service Manual, Disassembly and Assembly ,1972

Service Manual Caterpillar Inc.Peoria,

Immerse yourself in the artistry of words with Crafted by is expressive creation, Discover the Artistry of **Rexroth Pump Service Manual Aa4vso** . This ebook, presented in a PDF format (Download in PDF: *), is a masterpiece that goes beyond conventional storytelling. Indulge your senses in prose, poetry, and knowledge. Download now to let the beauty of literature and artistry envelop your mind in a unique and expressive way.

<https://lullaai.com/About/publication/index.jsp/rinder%20f%20r%20neu%20braunfels%20cassiopeiapress%20ebook.pdf>

Table of Contents Rexroth Pump Service Manual Aa4vso

1. Understanding the eBook Rexroth Pump Service Manual Aa4vso
 - The Rise of Digital Reading Rexroth Pump Service Manual Aa4vso
 - Advantages of eBooks Over Traditional Books
2. Identifying Rexroth Pump Service Manual Aa4vso
 - Exploring Different Genres
 - Considering Fiction vs. Non-Fiction
 - Determining Your Reading Goals
3. Choosing the Right eBook Platform
 - Popular eBook Platforms
 - Features to Look for in an Rexroth Pump Service Manual Aa4vso
 - User-Friendly Interface
4. Exploring eBook Recommendations from Rexroth Pump Service Manual Aa4vso
 - Personalized Recommendations
 - Rexroth Pump Service Manual Aa4vso User Reviews and Ratings
 - Rexroth Pump Service Manual Aa4vso and Bestseller Lists
5. Accessing Rexroth Pump Service Manual Aa4vso Free and Paid eBooks
 - Rexroth Pump Service Manual Aa4vso Public Domain eBooks
 - Rexroth Pump Service Manual Aa4vso eBook Subscription Services
 - Rexroth Pump Service Manual Aa4vso Budget-Friendly Options

-
6. Navigating Rexroth Pump Service Manual Aa4vso eBook Formats
 - ePub, PDF, MOBI, and More
 - Rexroth Pump Service Manual Aa4vso Compatibility with Devices
 - Rexroth Pump Service Manual Aa4vso Enhanced eBook Features
 7. Enhancing Your Reading Experience
 - Adjustable Fonts and Text Sizes of Rexroth Pump Service Manual Aa4vso
 - Highlighting and Note-Taking Rexroth Pump Service Manual Aa4vso
 - Interactive Elements Rexroth Pump Service Manual Aa4vso
 8. Staying Engaged with Rexroth Pump Service Manual Aa4vso
 - Joining Online Reading Communities
 - Participating in Virtual Book Clubs
 - Following Authors and Publishers Rexroth Pump Service Manual Aa4vso
 9. Balancing eBooks and Physical Books Rexroth Pump Service Manual Aa4vso
 - Benefits of a Digital Library
 - Creating a Diverse Reading Collection Rexroth Pump Service Manual Aa4vso
 10. Overcoming Reading Challenges
 - Dealing with Digital Eye Strain
 - Minimizing Distractions
 - Managing Screen Time
 11. Cultivating a Reading Routine Rexroth Pump Service Manual Aa4vso
 - Setting Reading Goals Rexroth Pump Service Manual Aa4vso
 - Carving Out Dedicated Reading Time
 12. Sourcing Reliable Information of Rexroth Pump Service Manual Aa4vso
 - Fact-Checking eBook Content of Rexroth Pump Service Manual Aa4vso
 - Distinguishing Credible Sources
 13. Promoting Lifelong Learning
 - Utilizing eBooks for Skill Development
 - Exploring Educational eBooks
 14. Embracing eBook Trends
 - Integration of Multimedia Elements

-
- Interactive and Gamified eBooks

Rexroth Pump Service Manual Aa4vso Introduction

Rexroth Pump Service Manual Aa4vso Offers over 60,000 free eBooks, including many classics that are in the public domain.

Open Library: Provides access to over 1 million free eBooks, including classic literature and contemporary works.

Rexroth Pump Service Manual Aa4vso Offers a vast collection of books, some of which are available for free as PDF downloads, particularly older books in the public domain.

Rexroth Pump Service Manual Aa4vso : This website hosts a vast collection of scientific articles, books, and textbooks. While it operates in a legal gray area due to copyright issues, its a popular resource for finding various publications.

Internet Archive for Rexroth Pump Service Manual Aa4vso : Has an extensive collection of digital content, including books, articles, videos, and more. It has a massive library of free downloadable books.

Free-eBooks

Rexroth Pump Service Manual Aa4vso Offers a diverse range of free eBooks across various genres.

Rexroth Pump Service Manual Aa4vso Focuses mainly on educational books, textbooks, and business books. It offers free PDF downloads for educational purposes.

Rexroth Pump Service Manual Aa4vso Provides a large selection of free eBooks in different genres, which are available for download in various formats, including PDF.

Finding specific Rexroth Pump Service Manual Aa4vso, especially related to Rexroth Pump Service Manual Aa4vso, might be challenging as theyre often artistic creations rather than practical blueprints. However, you can explore the following steps to search for or create your own Online Searches:

Look for websites, forums, or blogs dedicated to Rexroth Pump Service Manual Aa4vso, Sometimes enthusiasts share their designs or concepts in PDF format.

Books and Magazines Some Rexroth Pump Service Manual Aa4vso books or magazines might include. Look for these in online stores or libraries. Remember that while Rexroth Pump Service Manual Aa4vso, sharing copyrighted material without permission is not legal. Always ensure youre either creating your own or obtaining them from legitimate sources that allow sharing and downloading.

Library Check if your local library offers eBook lending services. Many libraries have digital catalogs where you can borrow Rexroth Pump Service Manual Aa4vso eBooks for free, including popular titles.

Online Retailers: Websites like Amazon, Google Books, or Apple Books often sell eBooks. Sometimes, authors or publishers offer promotions or free periods for certain books.

Authors Website Occasionally, authors provide excerpts or short stories for free on their websites. While this might not be the Rexroth Pump Service Manual Aa4vso full book , it can give you a taste of the authors writing style.

Subscription Services Platforms like Kindle Unlimited or Scribd offer subscription-based access to a wide range of Rexroth Pump Service Manual Aa4vso eBooks, including some popular titles.

FAQs About Rexroth Pump Service Manual Aa4vso Books

What is a Rexroth Pump Service Manual Aa4vso PDF? A PDF (Portable Document Format) is a file format developed by Adobe that preserves the layout and formatting of a document, regardless of the software, hardware, or operating system used to view or print it. **How do I create a Rexroth Pump Service Manual Aa4vso PDF?** There are several ways to create a PDF: Use software like Adobe Acrobat, Microsoft Word, or Google Docs, which often have built-in PDF creation tools. Print to PDF: Many applications and operating systems have a "Print to PDF" option that allows you to save a document as a PDF file instead of printing it on paper. Online converters: There are various online tools that can convert different file types to PDF. **How do I edit a Rexroth Pump Service Manual Aa4vso PDF?** Editing a PDF can be done with software like Adobe Acrobat, which allows direct editing of text, images, and other elements within the PDF. Some free tools, like PDFescape or Smallpdf, also offer basic editing capabilities. **How do I convert a Rexroth Pump Service Manual Aa4vso PDF to another file format?** There are multiple ways to convert a PDF to another format: Use online converters like Smallpdf, Zamzar, or Adobe Acrobats export feature to convert PDFs to formats like Word, Excel, JPEG, etc. Software like Adobe Acrobat, Microsoft Word, or other PDF editors may have options to export or save PDFs in different formats. **How do I password-protect a Rexroth Pump Service Manual Aa4vso PDF?** Most PDF editing software allows you to add password protection. In Adobe Acrobat, for instance, you can go to "File" -> "Properties" -> "Security" to set a password to restrict access or editing capabilities. Are there any free alternatives to Adobe Acrobat for working with PDFs? Yes, there are many free alternatives for working with PDFs, such as: LibreOffice: Offers PDF editing features. PDFsam: Allows splitting, merging, and editing PDFs. Foxit Reader: Provides basic PDF viewing and editing capabilities. How do I compress a PDF file? You can use online tools like Smallpdf, ILovePDF, or desktop software like Adobe Acrobat to compress PDF files without significant quality loss. Compression reduces the file size, making it easier to share and download. Can I fill out forms in a PDF file? Yes, most PDF viewers/editors like Adobe Acrobat, Preview (on Mac), or various online tools allow you to fill out forms in PDF files by selecting text fields and entering information. Are there any restrictions when working with PDFs? Some PDFs might have restrictions set by their creator, such as password protection, editing restrictions, or print restrictions. Breaking these restrictions might require specific software or tools, which may or may not be legal depending on the circumstances and local laws.

Find Rexroth Pump Service Manual Aa4vso :

[rinder f r neu braunfels cassiopeiapress ebook](#)
[rieju am6 manual](#)

rn medication administration test

rns manual

roadside geology of florida thomas m scott

ricoh e5550n manual

riello sentinel power user manual

riso 220 manual

rifle guide field & stream rifle skills you need

rights of way to brasilia teimosa the politics of squatter settlement

rijkunst voor beginners

river of shadows eadweard muybridge and the technological wild west

riviervisserij vergane glorie mensen vissen vogels

riparian area management inventory and monitoring riparian areas

ricoh installation manuals

Rexroth Pump Service Manual Aa4vso :

ebook dinner with friends das kochbuch rezepte fur lege pdf - Oct 04 2022

web aug 30 2023 friday night dinners and town favorites are the key influences behind these tempting dishes one hundred recipes covering all the bases from appetizers and

mit freunden essen gehen englisch Übersetzung linguee - Jan 27 2022

web preferential flowpaths wie der geologe sagt für das durchsickernde wasser bauen so spart man eimer gucken ob unten in der wohnung noch alles klar ist ist nicht klar

dinner with friends das kochbuch rezepte fur lege chelsea - Feb 08 2023

web merely said the dinner with friends das kochbuch rezepte fur lege is universally compatible in the same way as any devices to read the vegan planet revised edition

kochen mit freunden vegetarische rezepte von christian - May 31 2022

web dem autor folgen kochen mit freunden vegetarische rezepte von christian wrenkh gebundene ausgabe 15 september 2015 geselliger küchenspaß für sie und ihre

dinner with friends das kochbuch rezepte fur lege - Apr 29 2022

web dinner with friends das kochbuch rezepte fur lege 2 11 downloaded from uniport edu ng on july 23 2023 by guest snacks like spicy lentil and coconut soup sweet treats to

dinner with friends das kochbuch rezepte fur lege kristi - Jun 12 2023

web said the dinner with friends das kochbuch rezepte fur lege is universally compatible later than any devices to read heroes feast dungeons dragons kyle newman

dinner with friends das kochbuch rezepte fur lege copy wp - Feb 25 2022

web dinner with friends das kochbuch rezepte fur lege dinner with friends das kochbuch rezepte fur lege 2 downloaded from wp publish com on 2023 08 17 by

dinner with friends das kochbuch rezepte fur lege pdf full - Nov 24 2021

web amanda yee 2020 09 22 the ultimate friends fan needs this friends the official cookbook popsugar gather your friends and prepare to say how you doin to

dinner with friends das kochbuch rezepte fur lege download - Nov 05 2022

web dinner with friends das kochbuch rezepte fur lege fit auf rezept mar 03 2022 Über 100 superleckere gerichte vom fitness koch hajo jäger stark schön und schlank

dinner with friends das kochbuch bücher de - Jul 13 2023

web dinner with friends enthält rezepte für legendäre abende und nächte mit freunden mahlzeiten die am abend gemeinsam gekocht und verzehrt werden wollen die besten

dinner with friends das kochbuch rezepte fur lege pdf - Mar 09 2023

web dinner with friends das kochbuch rezepte fur lege 2 12 downloaded from uniport edu ng on august 7 2023 by guest to impress friends and family with a fancy meal delicious

dinner with friends das kochbuch rezepte fur lege pdf 2023 - Dec 26 2021

web make a few sides for a small dinner party with friends or make them all for a delicious family feast and don t forget dessert there s an entire chapter dedicated to end of meal

dinner with friends das kochbuch rezepte fur lege copy - Jul 01 2022

web 2 dinner with friends das kochbuch rezepte fur lege 2020 09 10 there s nothing dumbed down here only honest cooking simple stuff for everyday meals and gloriously

read free dinner with friends das kochbuch rezepte fur lege - Dec 06 2022

web dinner with friends das kochbuch rezepte fur lege new high german apr 12 2022 elements of the german language based on the affinity of german and english nov 19

dinner with friends das kochbuch rezepte fur lege john - Apr 10 2023

web dinner with friends das kochbuch jonas merold 2023 03 27 dinner with friends enthält rezepte für legendäre abende und nächte mit freunden mahlzeiten die am

dinner with friends das kochbuch rezepte fur lege pdf - Sep 15 2023

web dinner with friends das kochbuch rezepte fur lege pdf pages 3 26 dinner with friends das kochbuch rezepte fur lege pdf upload arnold e grant 3 26 downloaded

dinner with friends das kochbuch rezepte fur lege pdf - Aug 14 2023

web what the f should i make for dinner dinner with friends das kochbuch rezepte fur lege downloaded from old syndeohro com by guest alvarez cameron

dinner with friends das kochbuch rezepte fur lege book - May 11 2023

web kochbuch aug 16 2023 dinner with friends enthält rezepte für legendäre abende und nächte mit freunden mahlzeiten die am abend gemeinsam gekocht und verzehrt

dinner with friends wikipedia - Jan 07 2023

web dinner with friends is a play written by donald margulies it premiered at the 1998 humana festival of new american plays and opened off broadway in 1999 the play received

dinner with friends das kochbuch rezepte für legendäre - Oct 16 2023

web dinner with friends das kochbuch rezepte für legendäre abende und nächte merold jonas eger patrick jaeger laslo adam carina fiegler marek isbn

dinner with friends das kochbuch rezepte fur lege - Aug 02 2022

web jul 17 2023 dinner with friends das kochbuch rezepte fur lege 2 13 downloaded from uniport edu ng on july 17 2023 by guest guardian food network an unexpected

theresas küche kochen mit freunden in kooperation mit - Mar 29 2022

web das ist auch das konzept ihrer neuen tv sendung im ndr in thesas küche kochen mit freunden trifft sich die charmante hamburgerin die als foodbloggerin eine große

read free dinner with friends das kochbuch rezepte fur lege - Sep 03 2022

web mar 7 2023 one merely said the dinner with friends das kochbuch rezepte fur lege pdf is universally compatible taking into consideration any devices to read the

imperator wikipedia - Jan 14 2022

web the english word emperor derives from imperator via old french empereür the roman emperors themselves generally based their authority on multiple titles and positions rather than preferring any single title nevertheless imperator was used relatively consistently as an element of a roman ruler s title throughout the principate and the

roman emperor world history encyclopedia - Mar 28 2023

web apr 30 2018 roman emperors ruled the roman empire starting with augustus in 27 bce and continuing in the west until

the late 5th century ce and in the eastern roman empire up to the mid 15th century ce the emperors took titles such as caesar and imperator but it was their command of the army which allowed them to keep the throne

[augustus biography facts death history](#) - Sep 21 2022

web 2 days ago augustus emperor in all but name historians date the start of octavian s monarchy to either 31 b c the victory at actium or 27 b c when he was granted the name augustus in that four year

11 roman emperors who helped mold the ancient world history - Apr 28 2023

web sep 9 2021 in ancient rome few emperors were better at acquiring land for the empire than tiberius caesar augustus rome s second emperor owes his place on this list solely due to his military

[nero wikipedia](#) - Dec 13 2021

web e nero claudius caesar augustus germanicus 'nɪərɒs neer oh born lucius domitius ahenobarbus 15 december ad 37 9 june ad 68 was roman emperor and the final emperor of the julio claudian dynasty reigning from ad 54 until his death in ad 68 nero was born at antium in ad 37 the son of gnaeus domitius ahenobarbus and agrippina

[mary beard s emperor of rome explores the exploits its pitiless](#) - Nov 11 2021

web oct 28 2023 emperor of rome is not your average dry history book narrating lives and exploits from birth to death but rather a series of well written essays in which the author does not focus on a specific caesar but examines them alongside one another according to theme it doesn t matter whether the topic is how they dressed what they ate or where

roman emperors in order the complete list from caesar to the - Jun 30 2023

web apr 25 2023 here is a list of all the roman emperors in order from julius caesar to romulus augustus table of contents complete list of all roman emperors in order the julio claudian dynasty 27 bc 68 ad augustus 27 bc 14 ad tiberius 14 ad 37 ad caligula 37 ad 41 ad claudius 41 ad 54 ad nero 54 ad 68 ad

[augustus wikipedia](#) - Jul 20 2022

web augustus caesar augustus born gaius octavius 23 september 63 bc 19 august ad 14 also known as octavian was the founder of the roman empire he reigned as the first roman emperor from 27 bc until his death in ad 14

[list of roman emperors simple english wikipedia the free](#) - May 30 2023

web this is a list of the roman emperors many of them were murdered by relatives enemies friends and soldiers julio claudian dynasty augustus tiberius augustus s son in law caligula tiberius s grand nephew murdered by his bodyguards for many crimes claudius caligula s uncle claudius conquered britain making it part of the roman empire

roman emperor hailed as black briton even though he wasn t - Sep 09 2021

web oct 30 2023 a roman emperor who appears on numerous lists of black britons was not black lucius septimius severus died on campaign in britain in 211ad and has also been named in overviews of black

[titus wikipedia](#) - Mar 16 2022

web titus titus caesar vespasianus 'tairət ty təs 30 december 39 13 september 81 ad was roman emperor from 79 to 81 a member of the flavian dynasty titus succeeded his father vespasian upon his death before becoming emperor titus gained renown as a military commander serving under his father in judea during the first

nero biography claudius rome burning fate - May 18 2022

web oct 17 2023 nero fifth roman emperor the emperor claudius s stepson and heir who became infamous for his personal debaucheries and extravagances and on doubtful evidence for his burning of rome and persecutions of christians learn more about the life of

roman emperor wikipedia - Aug 01 2023

web the roman emperor was the ruler and monarchical head of state of the roman empire starting with the granting of the title augustus to octavian in 27 bc 1 the term emperor is a modern convention and did not exist as such during the empire

list of roman emperors encyclopedia britannica - Sep 02 2023

web this is a chronologically ordered list of roman emperors see also roman empire and ancient chronological list of roman emperors augustus tiberius diocletian britannica

[the roman empire article khan academy](#) - Jan 26 2023

web the roman republic became the roman empire in 27 bce when julius caesar s adopted son best known as augustus became the ruler of rome augustus established an autocratic form of government where he was the sole

[ancient rome facts location timeline history](#) - Apr 16 2022

web nov 1 2023 there are seven legendary kings of rome romulus numa pompilius tullus hostilius ancus martius lucius tarquinius priscus tarquin the elder servius tullius and tarquinius superbus or

list of roman emperors livius - Nov 23 2022

web on these pages you will find the names regnal dates and portraits of the emperors of the roman empire with links to more information 1st century 2nd century 3rd century gallic empire palmyra 4th century 5th century west byzantine empire

emperor of rome review a host of caesars wsj - Oct 11 2021

web oct 20 2023 12 15 pm et listen 3 min in june of the year 68 the emperor nero on learning that the roman senate had declared him a public enemy plunged a dagger into his throat with the

imperator rome download - Aug 09 2021

web jun 14 2023 softonic review lead the roman empire to greatness imperator rome is a strategy game developed by paradox development studio in imperator rome you must see to the rise and glory of the great roman empire you ll be able to manage individual characters with unique skills to lead your nation to power use your wits to create winning

emperor definition examples history britannica - Feb 12 2022

web emperor title designating the sovereign of an empire conferred originally on rulers of the roman empire and on various later european rulers including the holy roman emperors the russian tsars and napoleon bonaparte it has also been applied to certain non european rulers such as those of ethiopia or japan

roman empire wikipedia - Aug 21 2022

web in 27 bc the roman senate granted octavian overarching power and the new title of augustus marking his accession as the first roman emperor of a monarchy with rome as its sole capital the vast roman territories were organized in

roman empire definition history time period map facts - Dec 25 2022

web oct 4 2023 roman empire the ancient empire centered on the city of rome that was established in 27 bce following the demise of the roman republic and continuing to the final eclipse of the empire in the west in the 5th century ce learn more about the roman empire in this article

roman emperor timeline world history encyclopedia - Feb 24 2023

web athens and the agora restored 18 sep 14 ce 16 mar 37 ce reign of roman emperor tiberius 18 mar 37 ce 24 jan 41 ce reign of roman emperor caligula 25 jan 41 ce 13 oct 54 ce reign of roman emperor claudius 13 oct 54 ce 11 jun 68 ce reign of roman emperor nero 68 ce 69 ce year of the four emperors civil war in rome

list of roman emperors wikipedia - Oct 03 2023

web 27 bc ad 14 the first roman emperor the roman emperors were the rulers of the roman empire from the granting of the name and title augustus to octavian by the roman senate in 27 bc onward

roman emperors 16 notorious leaders that defined ancient rome - Jun 18 2022

web mar 19 2020 augustus the first roman emperor julius caesar s adopted son augustus caesar was the first emperor to rule ancient rome from 27 bc 14 ad after winning a deadly battle against mark antony and cleopatra augustus became a benevolent leader ushering in a period of stability known as the pax romana which he maintained

imperial rome national geographic society - Oct 23 2022

web oct 19 2023 imperial rome describes the period of the roman empire from 27 b c e to c e 476 at its height in c e 117 rome controlled all the land from western europe to the middle east the first roman emperor was augustus caesar who came to power after the assassination of julius caesar his great uncle

mon potager perpa c tuel pdf copy valenjarel com - May 13 2023

web apr 9 2023 mon potager perpa c tuel cultiver des la c gumes pdf web mar 13 2023 potager de la tomate à la carotte en passant par les salades courgettes fraises et framboises ces fiches plantes vous aideront à faire pousser des légumes dans votre jardin potager ou sur votre balcon mon potager perpa c tuel cultiver des la c gumes pdf web

[mon potager perpa c tuel free pdf books 139 162 58 18](#) - Aug 16 2023

web online pdf file book mon potager perpa c tuel only if you are registered here download and read online mon potager perpa c tuel pdf book file easily for everyone or every device

access free mon potager perpa c tuel free download pdf - Oct 06 2022

web jul 31 2023 books collections mon potager perpa c tuel that we will entirely offer it is not almost the costs its approximately what you infatuation currently this mon potager perpa c tuel as one of the most full of life sellers here will completely be in the course of the best options to review thank you very much for downloading mon potager perpa c

permakültür nedir cevreciyiz com - May 01 2022

web permakültür isim babası bill mollison ın tarifiyle doğal ekosistemlerin çeşitliliğine istikrarına ve esnekliğine sahip olan tarımsal olarak üretken ekosistemlerin bilinçli tasarımı ve bakımlarının sağlanmasıdır permakültür insan ile arazinin gıda enerji barınak gibi tüm maddi ve manevi ihtiyaçları

un potager perpa c tuel c est tra s simple monograf - Jun 02 2022

web 2 un potager perpa c tuel c est tra s simple 2020 04 16 lexicon its key feature is its lexico typological orientation i e a heavy emphasis on systematic cross linguistic comparison the book presents current theoretical and methodologica l trends in the study of semantic shifts and motivational patters based on an abundance of empirical

mon potager perpa c tuel avenza dev avenza - Jul 03 2022

web nov 15 2022 mon potager perpa c tuel 2 6 downloaded from avenza dev avenza com on november 15 2022 by guest pavarotti my world he talks candidly about his successes and trials from his forays into popular music and his performances in china to the boos he endured at la scala from the near fatal illness of his youngest daughter

mon potager perpa c tuel masanobu fukuoka pqr uiaf gov co - Dec 08 2022

web mon potager perpa c tuel is manageable in our digital library an online permission to it is set as public for that reason you can download it instantly our digital library saves in multipart countries allowing you to get the most less latency epoch to download any of our books once this one merely said the mon potager perpa c tuel is

mon potager perpa c tuel pdf uniport edu - Feb 10 2023

web may 25 2023 install the mon potager perpa c tuel it is entirely simple then back currently we extend the colleague to buy and create bargains to download and install mon potager perpa c tuel as a result simple

mon potager perpa c tuel cultiver des la c gumes uniport edu - Sep 05 2022

web apr 23 2023 to begin getting this info get the mon potager perpa c tuel cultiver des la c gumes associate that we allow here and check out the link you could buy lead mon potager perpa c tuel cultiver des la c gumes or get it as soon as feasible you could quickly download this mon potager perpa c tuel cultiver des la c gumes after getting deal so

mon potager perpa c tuel copy old cosmc - Aug 04 2022

web mon potager perpa c tuel downloaded from old cosmc org by guest angelina garza microsculpture chartwell books first published in 2005 routledge is an imprint of taylor francis an informa company corot in italy caillou new york times bestseller from the bestselling author of v2 and fatherland a wwii era spy

mon potager perpa c tuel pdf monograf - Jul 15 2023

web consideration this mon potager perpa c tuel but end stirring in harmful downloads rather than enjoying a fine book when a mug of coffee in the afternoon on the other hand they juggled similar to some harmful virus inside their computer mon potager perpa c tuel is easy to use in our digital library an online entrance to it is set as public

mon potager perpa c tuel pdf blueskywildlife - Apr 12 2023

web download solutions mon potager perpa c tuel web mon potager perpa c tuel seconde partie du dictionnaire franois dec 30 2022 a word to the students apr 29 2020 in this book a word to the students professor fomum based on his personal testimony makes it clear that the student life is not incompatible with a rich spiritual life rather academic

mon potager perpa c tuel doblespacio uchile cl - Nov 07 2022

web mon potager perpa c tuel is available in our book collection an online access to it is set as public so you can download it instantly our book servers hosts in multiple locations allowing you to get the most less latency time to download any of our books like this one

petniat magrol csak ha ismered a modjat hobbikert magazin - Dec 28 2021

web feb 8 2017 a petunia csak akkor szaporthato sikeresen magrol ha biztostani tudjuk szamara a kello mennyisegu fenyt a hagyomanyos fenycso vagy izzo peldaul tokeletesen megteszi nem szukseges ezert kulon palantanevelo lampat vasarolnunk a novenyeket alltsuk egy polcra ugy hogy felulrolerje azokat a feny ahogy

sinpa holding - Feb 27 2022

web bitkiler ihtiyaları olan tum vitamin ve mineralleri bu ozeltilerden alir marul maydanoz dereotu nane fesleen vb yeillikleri kolaylıkla bu sistem ile yetitirezabilirsiniz bu sistemi hazır bir kit olarak satın alabileceiniz gibi kendiniz de tasarlayabilirsiniz

mon potager perpa c tuel cultiver des la c gumes bernard j - Jan 09 2023

web adjacent to the proclamation as capably as perception of this mon potager perpa c tuel cultiver des la c gumes can be taken as well as picked to act voluntary initiatives for sustainable tourism world tourism organization sustainable development of tourism section 2002 accompanying cd rom contains detailed descriptions of 104 initiatives

mon potager perpa c tuel cultiver des la c gumes pdf free - Mar 11 2023

web mon potager perpa c tuel cultiver des la c gumes pdf pages 3 15 mon potager perpa c tuel cultiver des la c gumes pdf

upload mia y grant 3 15 downloaded from black ortax org on september 2 2023 by mia y grant masanobu fukuoka 2010 09 08
call it zen and the art of farming or a little green

okulda dođa eđitimi ve permakültür bahçesi yeşil Çocuk - Jan 29 2022

web jul 10 2018 okulda dođa eđitimi için dođa ve Çocuk dersi okulda dođa eđitimi için dođa ve Çocuk dersi 2014 2015
eđitim ve Öğretim yılında başlıyor İlk 2 yıl tüm birinci sınıflar dersi alıyor sonrasında 1 ve 2 sınıflara haftada 2 ders saati
seçmeli olarak veriliyor dođa dersleri ile birlikte dilek hanım 4

mon potager perpétuel cultiver des légumes vivaces des - Jun 14 2023

web jun 28 2023 composer votre potager perpétuel chaque plante fait l objet d une fiche descriptive détaillant ses
caractéristiques sa culture au potager ou bien en pot ses utilisations une recette de cuisine vous est à chaque fois proposée le
potager perpétuel la solution pour les jardiniers qui disposent de peu de temps

un potager perpa c tuel c est tra s simple pdf - Mar 31 2022

web un potager perpa c tuel c est tra s simple 3 3 himself in one story a character declares that marcel proust is so
embarrassed he s suicidal while lampooning some of france s greatest writers including flaubert balzac and saint simon full
of sophisticated wit and dazzling wordplay and rife with allusions to his friend and fictional